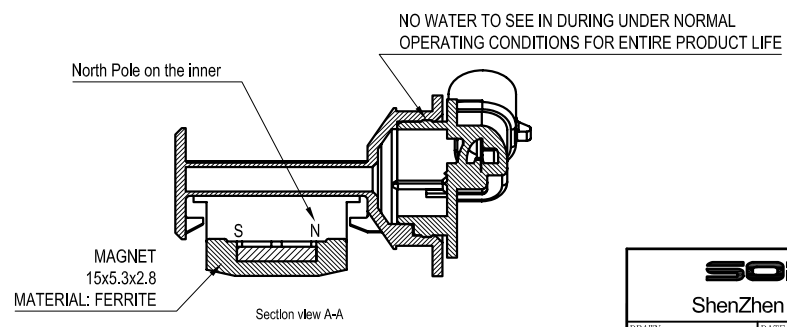
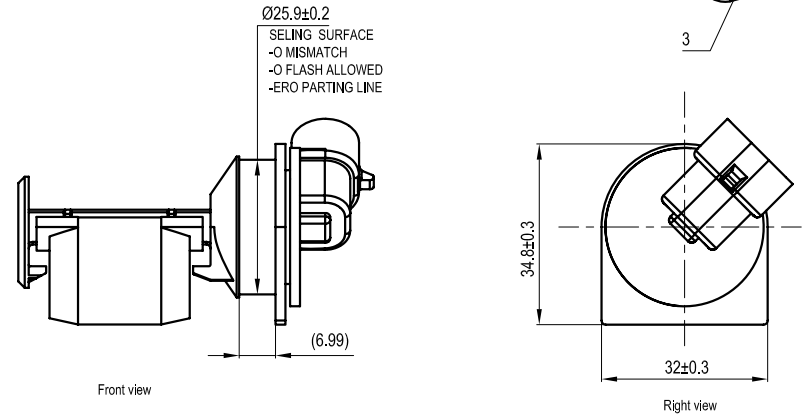
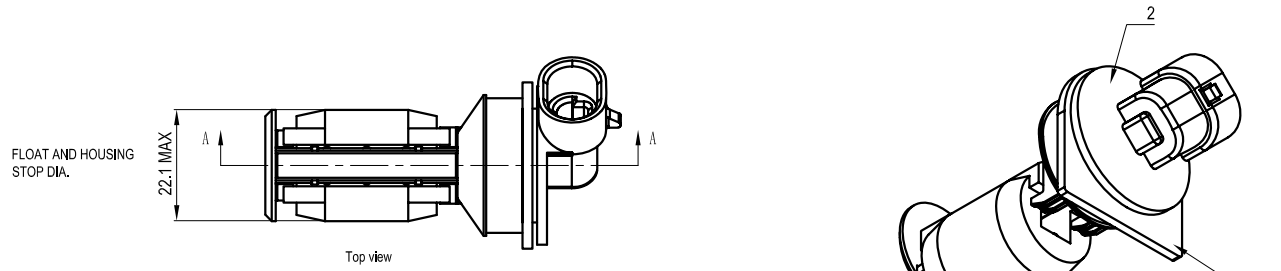


REVISION	NOTES	DATE	RELEASED
A	First Revisions	2020.03.02	WU HENG WU
B	Add direction of magnet required.	2022.12.01	WU HENG WU



- NOTES:**
- 1) SENSOR SHALL FUNCTION IN WINDSHIELD WASHER FLUID (50% METHYL ALCOHOL) AT TEMPERATURES FROM -30°C TO 120°C.
 - 2) SENSOR SHALL OPERATE FROM A NORMALLY OPEN (FULL FLUID LEVEL) TO A CLOSED (LOW FLUID LEVEL) POSITION. AN "ON-OFF-ON" OR "OFF-ON-OFF" SEQUENCE OF OPERATION SHALL NOT BE PERMITTED EXCEPT AS NOTED IN NOTE 3.
 - 3) FALSE OPERATION DUE TO WASHER FLUID "SLOSHING" IS PERMISSIBLE.
 - 4) WHEN SENSOR SWITCH IS OPEN, THE INSULATION RESISTANCE BETWEEN THE TERMINALS TO BE 1.0 MEGAOHMS AT 200V DC.
 - 5) THE MILLIVOLT DROP WHEN CHECKED AT THE EXTERNAL TERMINALS OF THE SENSOR SHALL NOT EXCEED 85 MILLIVOLTS WHILE CONDUCTING 10 MILLIAMPS THROUGH THE CONTACTS WITH A 13.5 VOLT DC SUPPLY.
 - 6) SENSOR CONNECTOR MATES WITH PACKARD 12162193 OR EQUIVALENT.
 - 7) TERMINAL SPECIFICATIONS: H62 Y2 T=0.8mm.
 - 8) REED SWITCH: ORD 324 30/35 AT.
 - 9) 100% END OF LTNE TESTING FOR ON/OFF FUNCTION.

BILL of Materials

S No.	Description	Material	Qty
1	Sensor Body	POM(KEPITAL F20-03) Black	1
2	Connector	POM(KEPITAL F20-03) Blue	1
3	Float	PP Foam(taihua k8009) Green	1

SODOWELL		MODEL: LS-4901-01	
ShenZhen XinDaoWei Technology CO.,LTD		ANGLE OF VIEW	
DRAWN: WU HENG WU	DATE: 2022.12.01	DRAWING TITLE: LEVEL SENSOR	
CHECKED: /	DATE: /	DRAWING NUMBER: LS-4901-01 (186595C)	UNIT: mm
APPR'D: Zhou Bo	DATE: 2022.12.01	DWG. NO.	SCALE: 1:1
			SHEET: 1 OF 1
			DWG. SIZE: A3